



**Fisher Engineering**

50 Gordon Drive, Rockland, Maine 04841-2139 • www.fisherplows.com

January 1, 2009  
Lit. No. 29185, Rev. 03

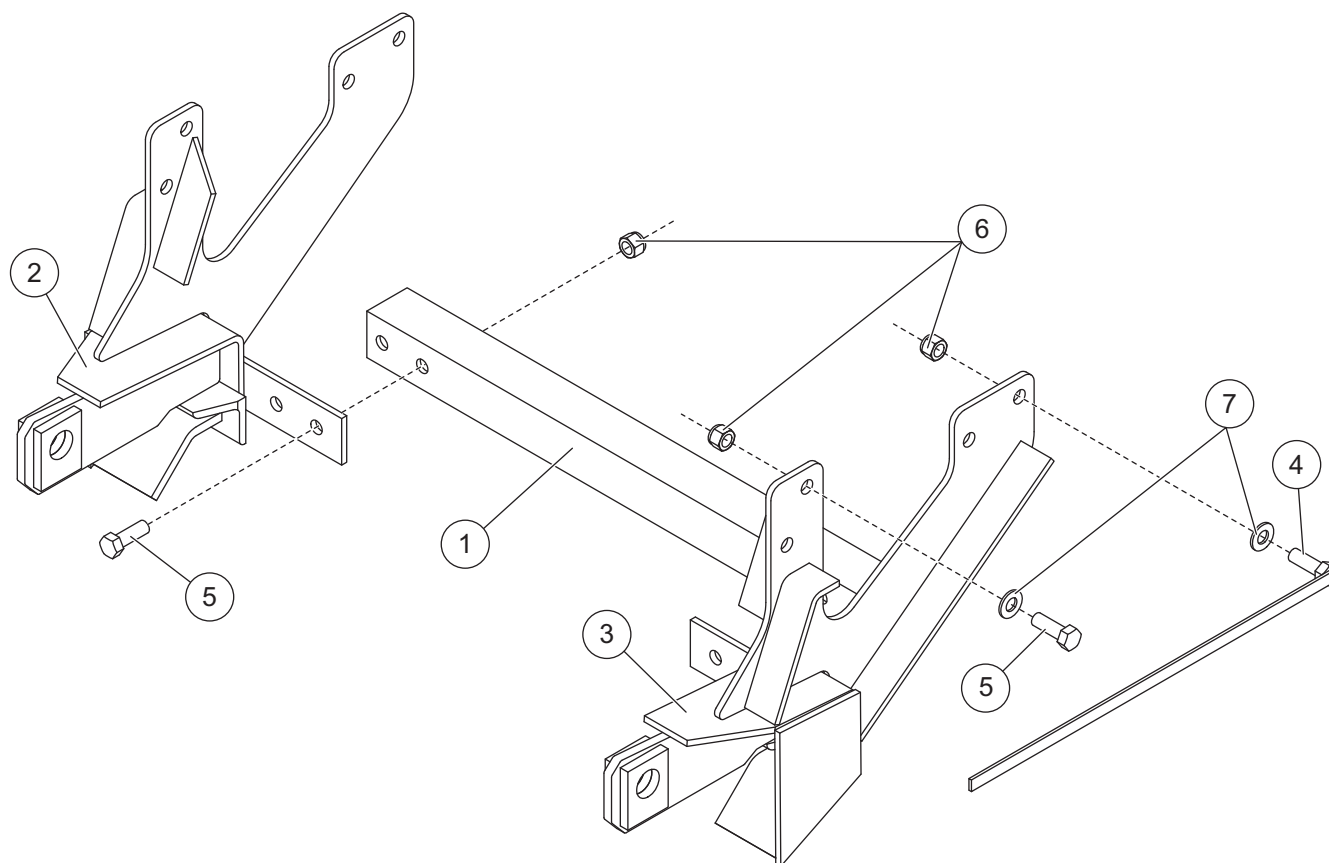
# Minute<sup>2</sup> SYSTEM

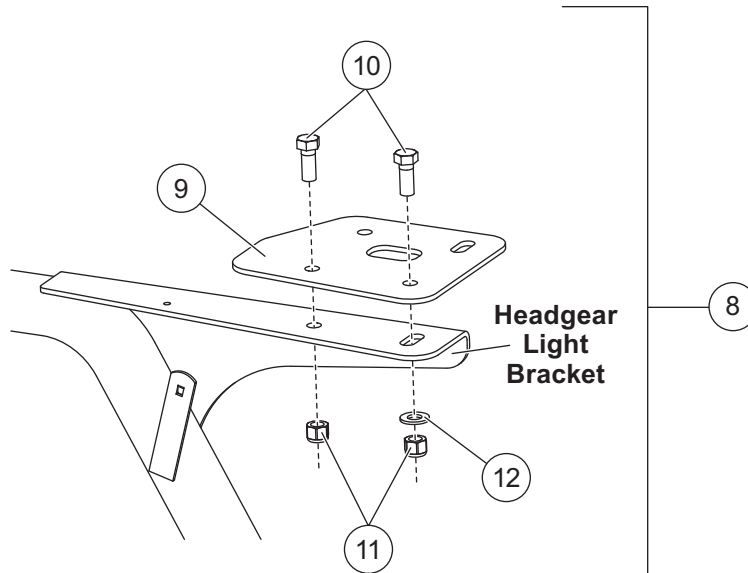
## MOUNT KIT

**Dodge Ram 1500**

**2006 - 08**

### Parts List





7180 Mount Kit							
Item	Part	Qty	Description	Item	Part	Qty	Description
1	67696	1	Cross Bar	4	22314	4	1/2-13 x 1-1/2 Hex Cap Screw G5 w/Handle
2	29180	1	Pushplate PS	ns	42107	1	Bolt Bag – 7180
3	29181	1	Pushplate DS	<b>42107 Bolt Bag – 7180</b>			
5	90210	8	1/2-13 x 1-1/2 Hex Cap Screw G5	7	90572	8	1/2 Hardened Flat Washer
6	91335	12	1/2-13 Hex Locknut GB Topping				
Item 8		29596 Headlamp Extension Bracket Kit					
9	29595	2	Headlamp Extension Bracket	11	91335	4	1/2-13 Hex Locknut GB Topping
10	90575	4	1/2-13 x 1-1/4 Hex Cap Screw G5	12	90572	2	1/2 Hardened Flat Washer
ns = not shown				G = Grade			

Copyright © 2009 Douglas Dynamics, L.L.C. All rights reserved. This material may not be reproduced or copied, in whole or in part, in any printed, mechanical, electronic, film or other distribution and storage media, without the written consent of Fisher Engineering. Authorization to photocopy items for internal or personal use by Fisher Engineering outlets or snowplow owner is granted.

Fisher Engineering reserves the right under its product improvement policy to change construction or design details and furnish equipment when so altered without reference to illustrations or specifications used. Fisher Engineering or the vehicle manufacturer may require or recommend optional equipment for snow removal. Do not exceed vehicle ratings with a snowplow. Fisher Engineering offers a limited warranty for all snowplows and accessories. See separately printed page for this important information. The following are registered (®) trademarks of Douglas Dynamics, L.L.C.: FISHER®, Minute Mount® 2.

Printed in U.S.A.