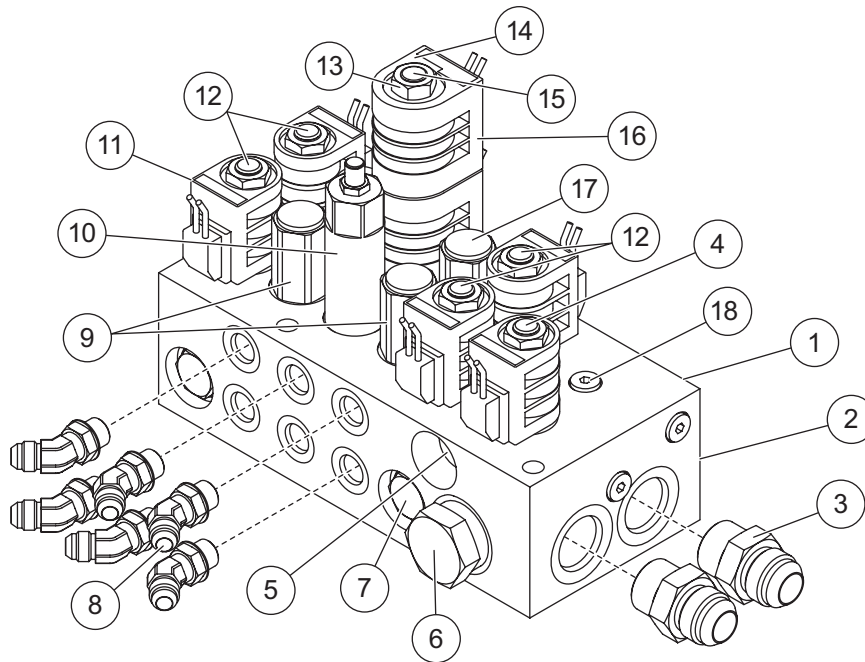


MANIFOLD PARTS – ALL MODELS



Item	Part	Qty		Description
		810SS	8611SS	
1	B60341	1	–	Manifold Assembly
	B60342	–	1	Manifold Assembly
ns	B60491	1	1	Pump/Manifold Kit (incl. B60402 [1], B60447 [1], B60448 [1], B62039 [1], B61011 [2], B61412 [2], B61312 [2], B61637 [2], 56805 [4])
2	B60354	1	–	Manifold Block (with Cross Port Relief), Clear Anodized Aluminum
	B60355	–	1	Manifold Block (with Cross Port Relief), Gold Anodized Aluminum
3	B60089	2	2	Connector, Short –12 M JIC/–12 M ORB
4	B60320	1	1	Spool Valve 2-Way
5	B60356	1	1	Back-Pressure Check Valve 5 psi
6	B60183	1	1	Pressure Compensation Regulation Valve
7	B60225	4	4	Check Valve 50 psi
8	56695	6	6	Elbow 45 –6 M JIC/–6 M ORB
9	B60279	2	–	Relief Valve 1500 psi
	B60227	–	2	Relief Valve 2650 psi
10	B60168	1	1	Relief Valve 3000 psi
11	B62163	5	5	Coil, PDL 12V DC
12	B60166	4	4	Spool Valve – 3-Way, 2-Position
13	B60052	5	5	1/2-20 Hex Jam Nut
14	B62161	1	1	Coil Harness Assembly (incl. Items B62045, B62118 [2], B62116 [5], B62096 [7], B62097 [7], Items 32–36)
15	B60321	1	1	Spool Valve – 4-Way, 3-Position
16	B62164	2	2	Coil, LDL 12V DC
17	B60278	2	–	Relief Valve 1700 psi
	B60226	–	2	Relief Valve 2800 psi
18	B60049	2	2	SAE Hollow Hex Plug ORB
ns	B63196	1	1	Label – SS/TR Hydraulic Hose Guide
ns	B60322	2	2	Piston Assembly
		G = Grade		ns = not shown